

1500KG SINGLE SCISSOR LIFT TABLE



The Electric Single Scissor Lift has a load capacity of 1500kg and is designed to lift extra heavy loads. The scissor lift table can be mounted on the floor or in a pit and are fully tested prior to despatch. This means that they are ready to use as soon as they are delivered. Choose from a variety of different lengths and sizes to ensure you can lift as much as possible.

GENERAL INFO & FEATURES

- Capacity: 1500kg
- Stroke: from 1650mm
- Safety bar to stop descent if obstructed
- Lift time: from 32 sec
- Includes a hand controller with up and down functions
- Closed height: 300mm
- Total height: 1950mm
- Complies with the requirements of EN 1570-1 + A1



CEE Power Plug



Hand Controller



Safety Trip Bar



Hose Burst Valves

SPECIFICATION

Specification

- Lift time: 32 seconds
- Total height: 1030mm
- CE Marked

Recommended use

- Building sites
- Warehouses
- Construction environments

Key features

- CE Marked
- 7 - 10 delivery time
- 400 Volt, 3 phase, 50 hertz power supply

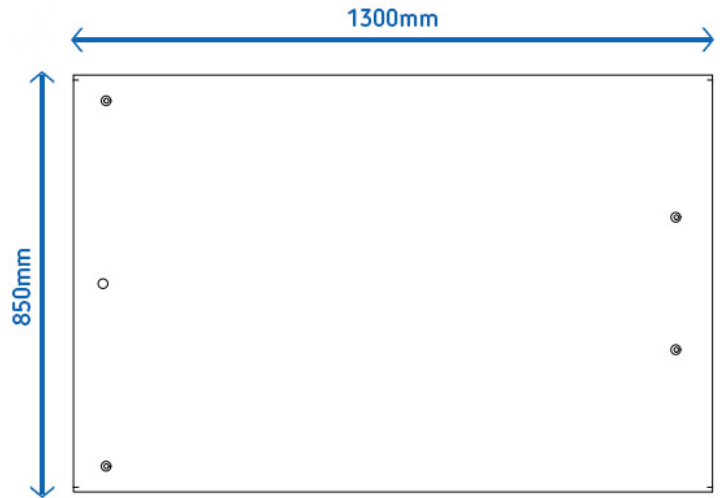
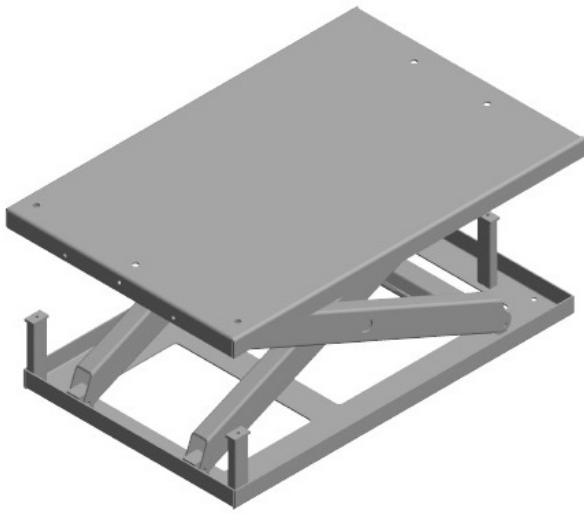
DIMENSIONS

SKU	Capacity	Height	Length	Closed Height	Lift Height	Options	Type	Width
10320015	1500kg	1950mm	2500mm	300mm	1950mm	Single	Static	1300mm



TECHNICAL DRAWINGS

BIRDS EYE VIEW



FRONT AND SIDE VIEW

